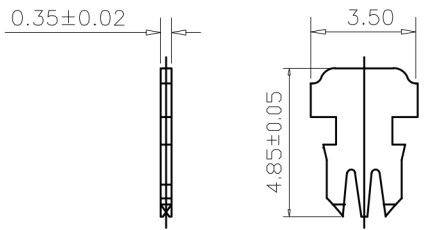
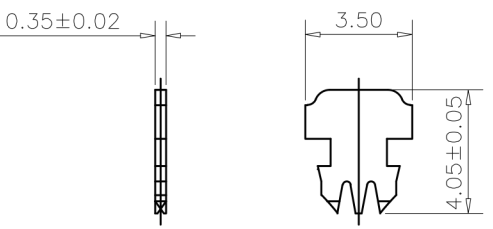
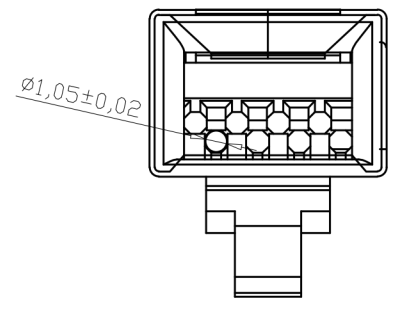
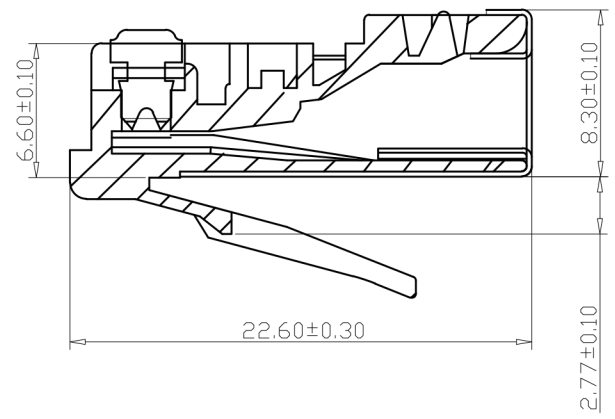
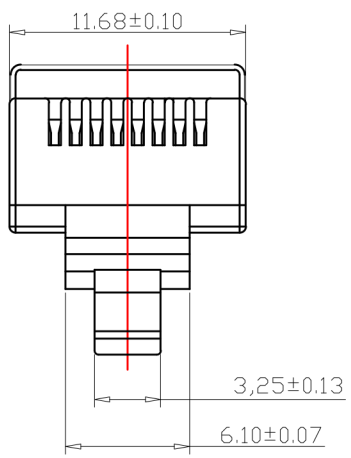
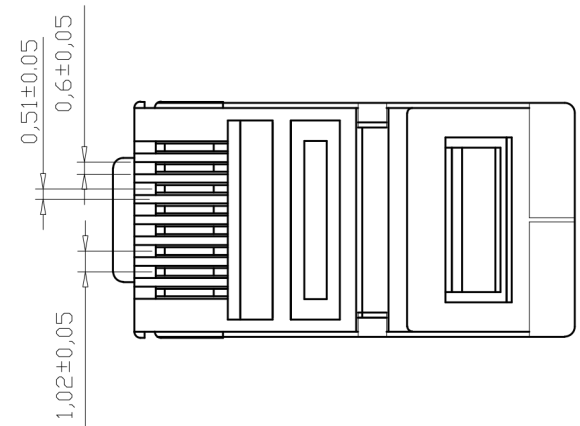


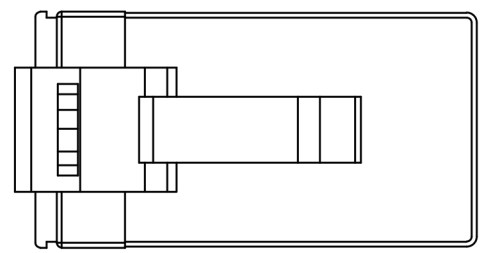
NO.	DATE	REVISION	REVISER	VERSION



長 PIN



短 PIN



NOTES UNLESS OTHERWISE SPECIFIED
 1. MATERIAL OF HOUSING: PC.
 2. ELECTRICAL TEST:
 a. Dielectric withstanding volts: 500AC
 b. Insulation Resistance: 500mega ohms
 c. Termination Resistance: 35milliohms max

APPROVED	TONGYIN C	PC	CAT6 FTP PLUG	m/m	HBY CO., LTD
CHECKED		MATERIAL	NAME	UNIT	
DRAWN		ICP-0009-A0			±0.1
DESIGNED	XL MENG	DWG NO.	PART NO.	WEIGHT	THIRD ANGLE PROJECTION
		透明	射出成型	1:1	A/0
		COLOR	MANUFACTURE	SCALE	SURFACE ROUGHNESS
					VERSION