




深圳市华百年电子有限公司

SHENZHEN HBY ELECTRONICS CO.,LTD.

# 规格书

## specification

产品名称 Product Name	VDSL 语音分离器 VDSL SPLITTER		
产品型号 Product Model	ZD201		
			
	制作 DRAWN UP	审核 CHECKED	批准 APPROVED
姓名 NAME			

	<b>产品规格书</b> Product Specification	Edition: OA	Page: 1 / 7
产品型号 Product Model	ZD201		

日期 DATE			
------------	--	--	--

## CONTENTS

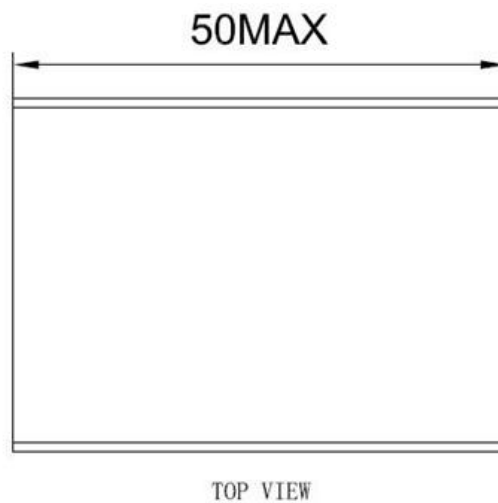
CONTENTS .....		1
1 Mechanical characteristics .....		2
1.1 Housing .....		2
1.2 RJ11 (double sockets) .....		3
1.3 PCB .....		4
2 Product structure .....		5
3 Electrical performance .....		5
3.1 <b>Circuit schematic</b> .....		5
3.2 Circuit layout .....		6
3.3 Electrical specification .....		6
4 Packing .....		7
4.1 SPLITTER packing: PVC polybag .....		7
4.2 Place(See picture) .....		7
4.3 Outer Packing .....		8

	<b>产品规格书</b> Product Specification	Edition: OA	Page: 2 / 7
产品型号 Product Model	ZD201		

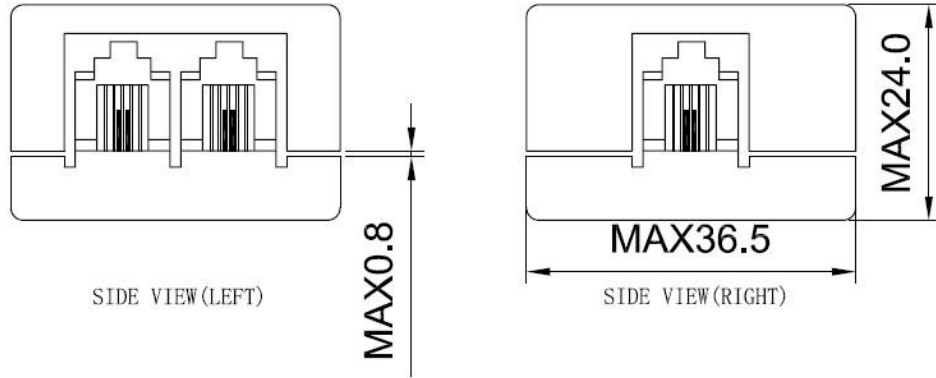
## 1 Mechanical characteristics

### 1.1 Housing

- Housing size (MM) -see picture (50\*36.5\*24)



	<p style="text-align: center;"><b>产品规格书</b> Product Specification</p>	<p style="text-align: center;">Edition: OA</p>	<p style="text-align: center;">Page: 3 / 7</p>
<p>产品型号 Product Model</p>	<p>ZD201</p>		



- Material: ABS
- Color: RAL 9003

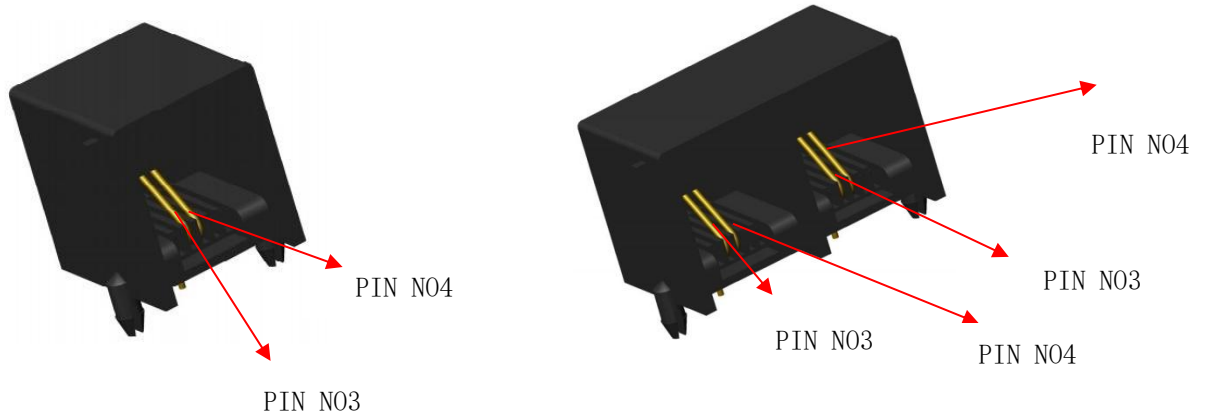


RAL 9003

## 1.2 RJ11 (double sockets)

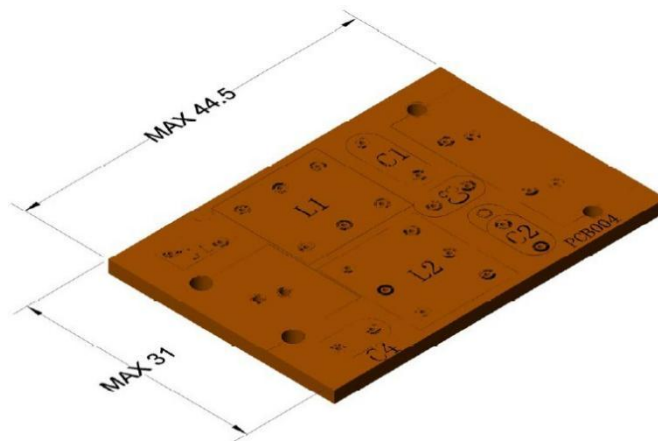
- Material:HIPS
- Color:
- 6P2C
- Gold plated:FU

	<b>产品规格书</b> Product Specification	Edition: 0A	Page: 4 / 7
产品型号 Product Model	ZD201		



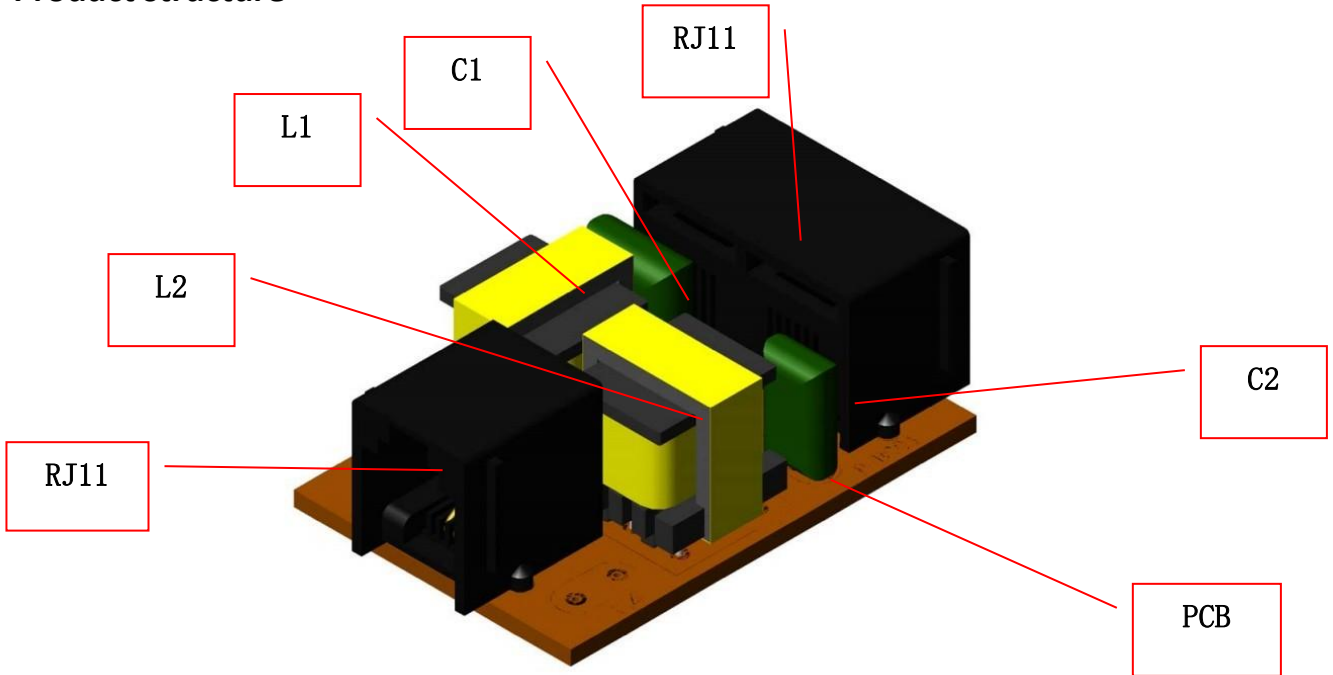
### 1.3 PCB

- Material:
- Model: :YXSP206
- Number of layers: single sided board
- Dimension (mm) -see picture
- Thickness: : 1.6mm±0.1



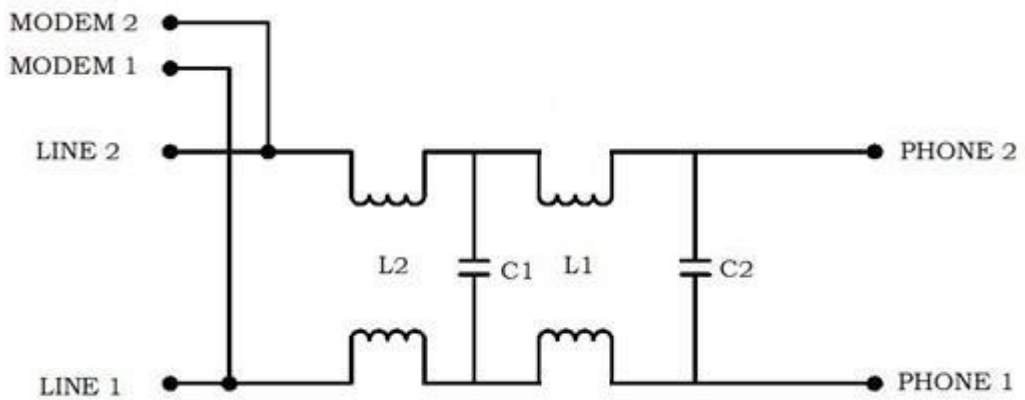
	<b>产品规格书</b> Product Specification	Edition: OA	Page: 5 / 7
产品型号 Product Model	ZD201		

## 2 Product structure



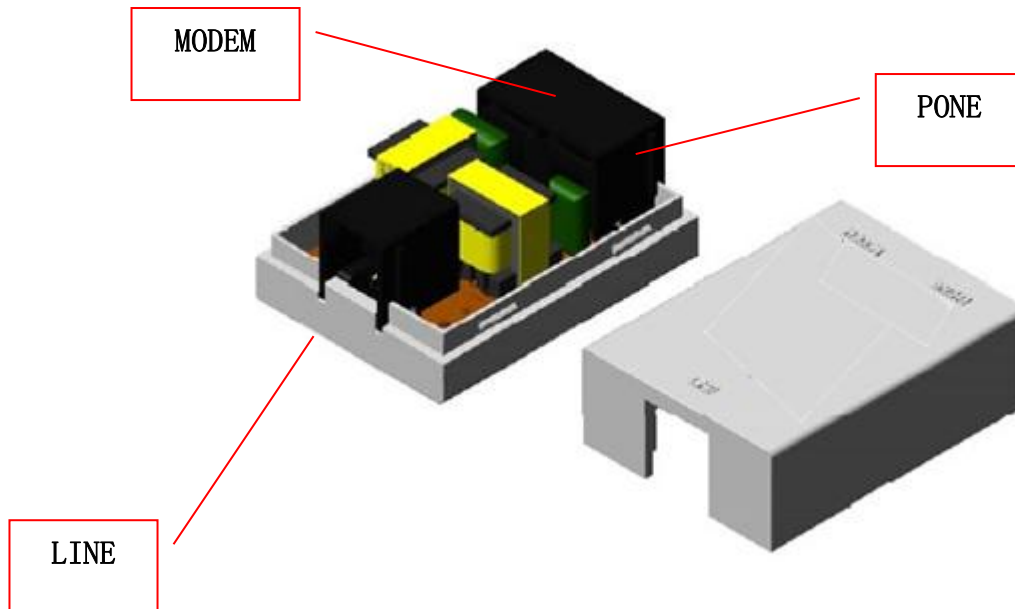
## 3 Electrical performance

### 3.1 Circuit schematic



	<b>产品规格书</b> Product Specification	Edition: OA	Page: 6 / 7
产品型号 Product Model	ZD201		

### 3.2 Circuit layout



### 3.3 Electrical specification

POST PORT IMPEDANCE		Zr=600 Ω
Modem impedance	30 kHz to 4.4M Hz	100 Ω
Insertion loss	@ 1020 Hz	<0.3dB
Insertion loss distortion	200 Hz<f<3.4 kHz with 1020Hz center	<± 1 dB
Return loss	300 Hz< f< 500 Hz	>=14 dB
	500 Hz< f< 2000 Hz	>=18 dB
	2000 Hz< f< 3400 Hz	>=14 dB
Longitudinal conversion loss LCL	50 Hz< f< 600 Hz	> =40 dB
	600 Hz< f< 3400 Hz	>=46dB
	3400 Hz< f< 30K Hz	>=40dB
	30K Hz< f< 1104K Hz	>=45dB
	1104K Hz< f< 4.4M Hz	>=30 dB
Delay distortion	500 Hz<f<2800Hz	150 u sec
DC resistance		<25 Ω
Isolation resistance,	100 VDC; term = ∞ Ω	>5MΩ

	<b>产品规格书</b> Product Specification	Edition: OA	Page: 7 / 7
产品型号 Product Model	ZD201		

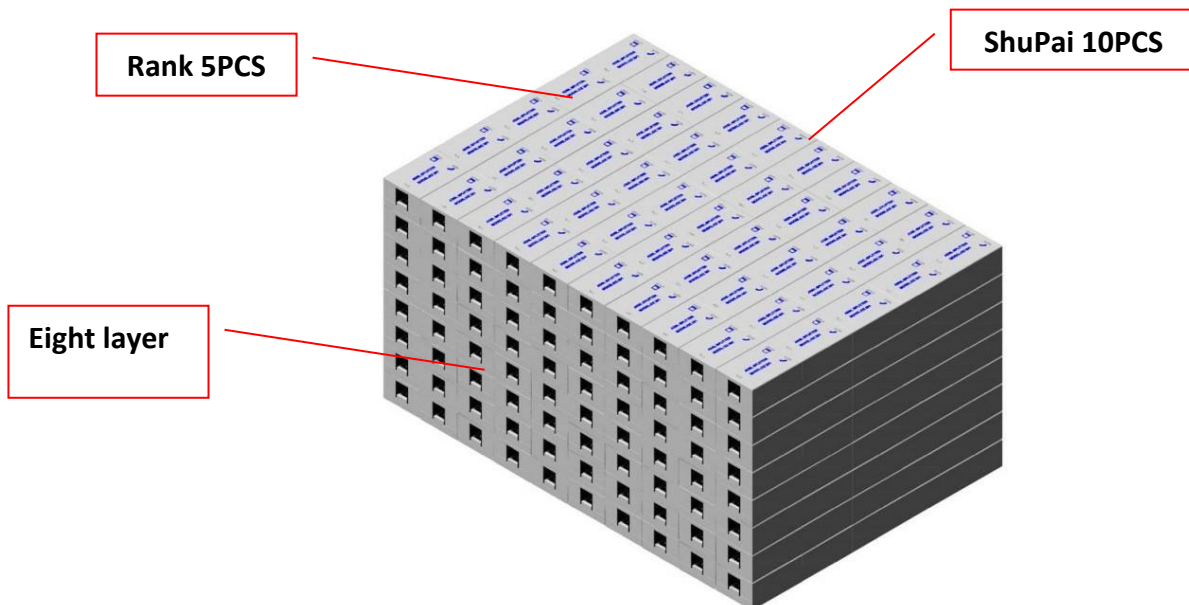
branch-branch		
Stop band attenuation	30 kHz<f<138 kHz	>45 dB
	138 kHz<f<30 MHz	>50dB

## 4 Packing

### 4.1 SPLITTER packing: PVC polybag



### 4.2 Place(See picture)

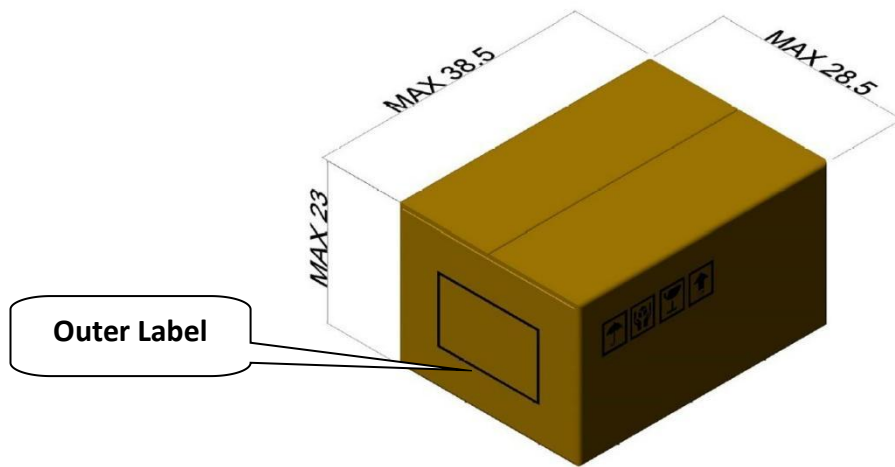




	<p style="text-align: center;"><b>产品规格书</b> Product Specification</p>	<p style="text-align: center;">Edition: OA</p>	<p style="text-align: center;">Page: 8 / 7</p>
<p>产品型号 Product Model</p>	<p>ZD201</p>		

### 4.3 Outer Packing

- Material:K8K
- Dimension (CM) :38.5\*28.5\*23



- Four small carton in a outer carton
- QTY:400
- N.W.: 12.0KG
- G.W.: 12.5KG