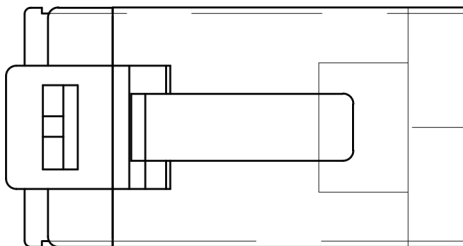
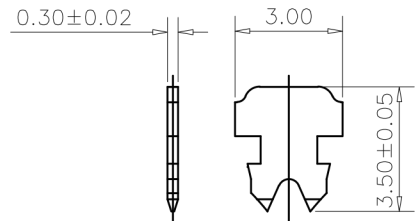
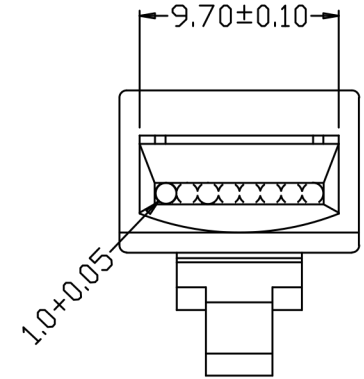
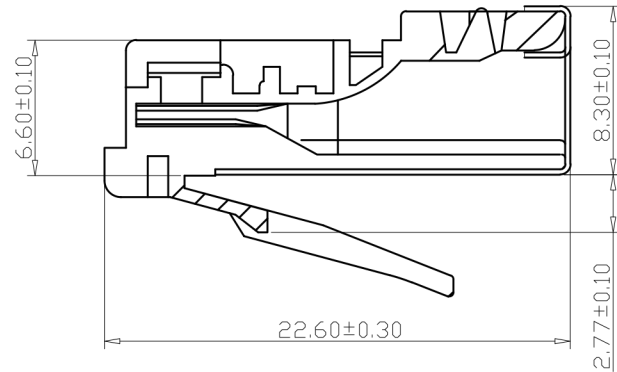
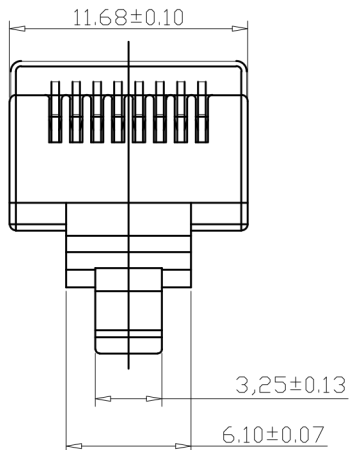
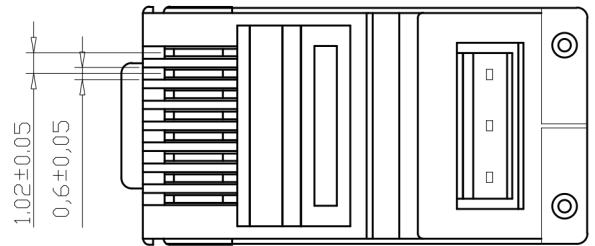

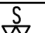


NO.	DATE	REVISION	REVISER	VERSION



NOTES UNLESS OTHERWISE SPECIFIED  
 1. MATERIAL OF HOUSING: PC, 94-V2  
 2. MATERIAL OF CONTACT: BRASS C2680  
 3. MATERIAL OF SHIELD: SPCC NICKEL PLATING  
 4. ELECTRICAL TEST:  
 Dielectric withstanding volts: 500AC  
 Insulation Resistance: 500mega ohms  
 Termination Resistance: 35milliohms max

APPROVED	TONGYIN C	PC	CAT5E FTP PLUG	m/m	 <b>HBY CO., LTD</b>	
CHECKED		MATERIAL	NAME	UNIT		
DRAWN		DWG NO.	PART NO.	WEIGHT	THIRD ANGLE PROJECTION	GENERAL TOLERANCE
DESIGNED	XL MENG	TP	Molding	1:1		VERSION
		COLOR	MANUFACTURE	SCALE		SURFACE ROUGHNESS