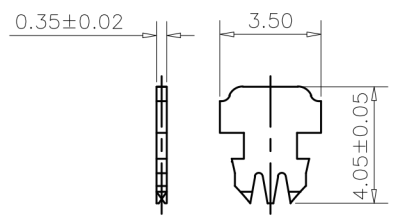
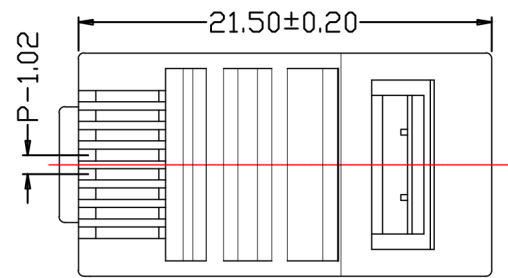
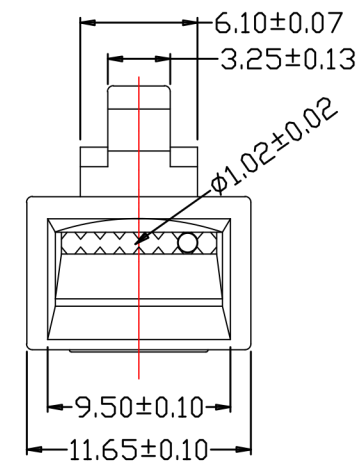
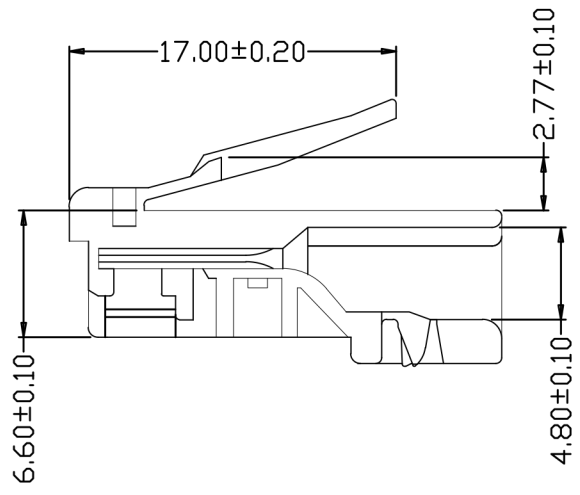
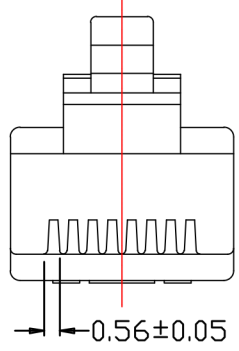
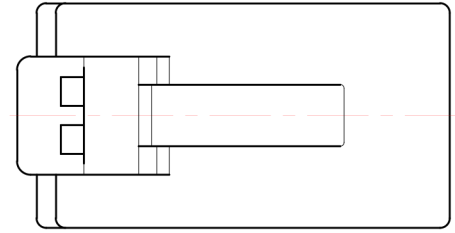
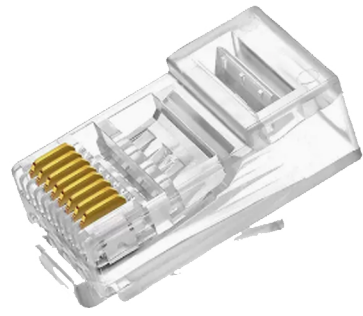


NO.	DATE	REVISION	REVISER	VERSION



备注:  
 1. 材质  
 a. 塑胶材质: PC 94-V0.  
 b. 端子材质: 黄铜 C2680 1U CONTACT AREA  
 2. 特性要求:  
 a. Dielectric withstanding volts:500AC  
 b. Insulation Resistance:500mega ohms  
 c. Termination Resistance:35milliohms max

APPROVED	TONGYIN C	PC	8P8C 1U (R) ㄨ	m/m	 <b>HBV CO., LTD</b>	
CHECKED		MATERIAL	NAME	UNIT		
DRAWN		DWG NO.	PART NO.	WEIGHT	THIRD ANGLE PROJECTION	GENERAL TOLERANCE
DESIGNED	XL MENG	透明	射出成型	1:1	 A/0	VERSION
		COLOR	MANUFACTURE	SCALE	SURFACE ROUGHNESS	